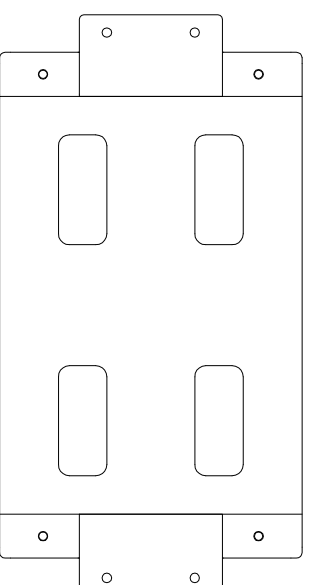
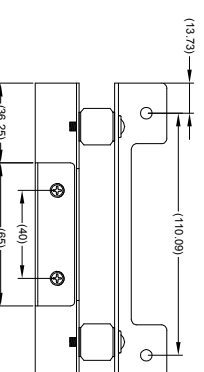
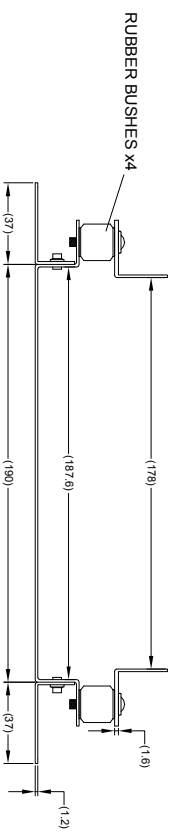
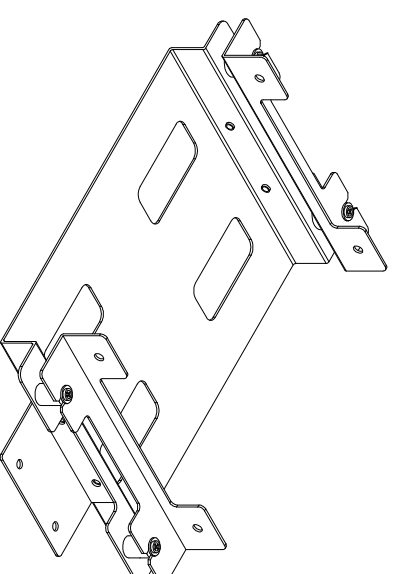
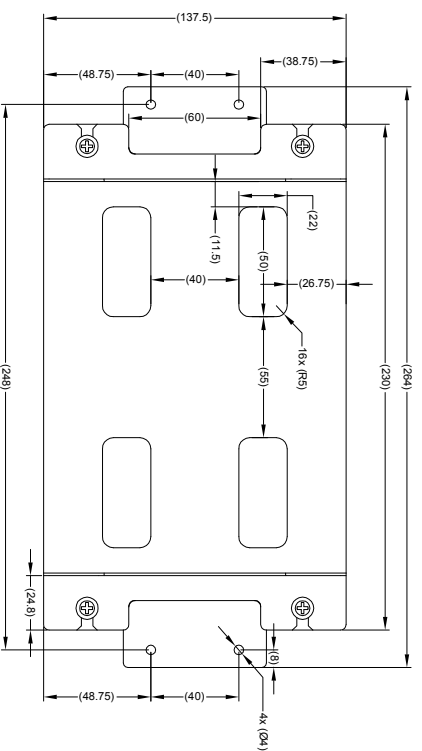


Revision Notes:

Checked By: -

Approved By: -

Date Released: -



- NOTES:
1. MATERIAL: STEEL.
 2. FINISH: BLACK SPRAY PAINT.
 3. RUBBER ANTI-VIBRATION BUSHES MAY VARY.
 4. SUPPLIED WITH 8x MOUNTING SCREWS FOR BRACKET.
 5. ALL SHARP EDGES AND BURS TO BE REMOVED.

PROPRIETARY NOTICE

THIS DESIGN AND TECHNICAL INFORMATION APPEARING ON THIS DRAWING IS THE PROPERTY OF BRIGADE ELECTRONICS, AND IS DISCLOSED IN CONFIDENCE. IT IS NOT TO BE COPIED, REPRODUCED, REVEALED TO OR EXPLOITED BY OTHERS, EITHER IN WHOLE OR IN PART WITHOUT THE EXPRESS WRITTEN CONSENT OF BRIGADE ELECTRONICS.

BRIGADE
www.brigade-electronics.com

Assembly Pl Approval
JSHH - 02/01/12

Approved by
DKERAL

Angle of Projection
Third Angle

Checked by
MBUTLER

Status
RELEASED

Drawn by
JNEWMAN

Scale
N/A

Released
21/03/12

Stock Code
2917

Assembly Ref
MAD512D2.08

AVM-304

BE-001744-00-11